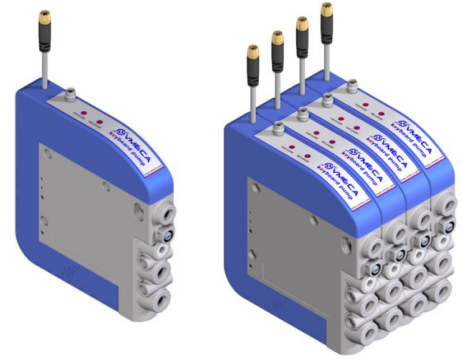


## SKC203

### Features and Strengths

- Integrated VMECA Vacuum Cartridge technology
- Integrated QR (Quick Release) valve
- Auto Filter Cleaning system
- Two vacuum ports
- Fast response time & Long life time
- Display Digital Sensor & M8 pin Connector wire



### Specifications

Description	SKC203
Max. Vacuum level	-90 kPa
Open Vacuum flow	171.6 NI/min
Max. Feed pressure	7 bar
Temperature	-20 ~ 80 °C
Noise level	50 ~ 60 dBA
Weight	456g

\* The above weight is calculated with SKC203-S-1-A-C

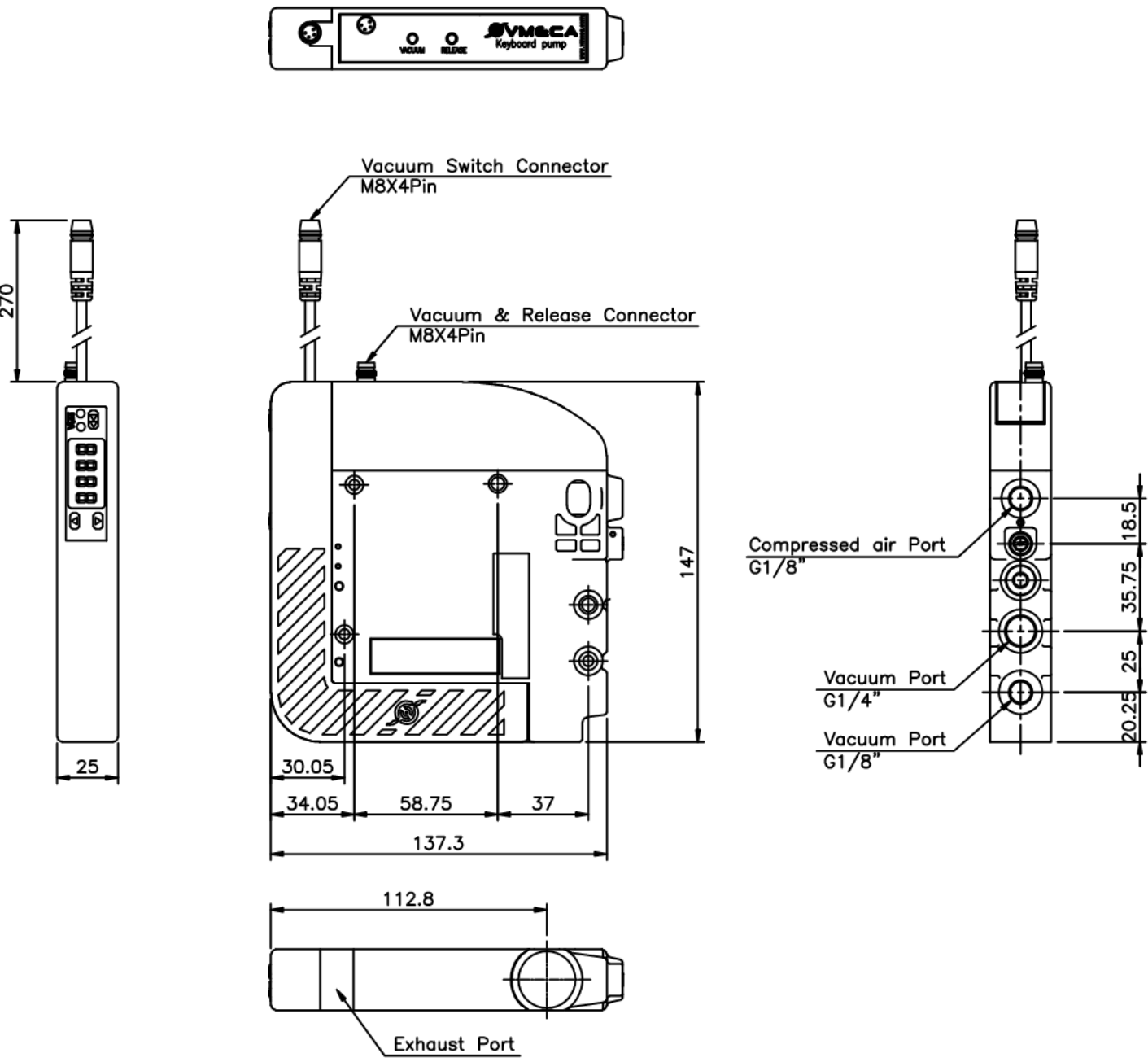
### Vacuum Flow

Model	Max. vacuum (-kPa)	Feed Pressure (bar)	Vacuum flow (NI/min) at different vacuum levels (-kPa)									
			0	10	20	30	40	50	60	70	80	90
SKC203	50	1.7	11.2	50.8	25.6	16.6	8.0	-	-	-	-	-
	60	2.2	134.4	59.0	34.0	23.0	16.0	10.4	2.8	-	-	-
	90	3.14	171.2	73.8	52.0	31.6	22.0	17.8	13.2	7.8	4.0	-
	85	4.0	171.6	85.4	62.0	46.0	28.2	15.2	12.8	7.8	2.6	-

### Evacuation Time

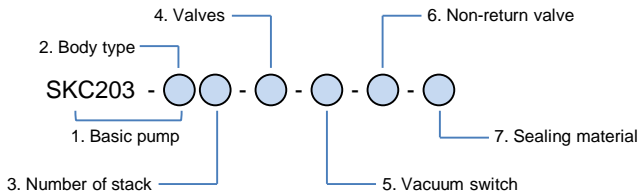
Model	Feed Pressure (bar)	Air Consumption (NI/min)	Evacuation time in sec / liter to reach different vacuum levels (-kPa)								
			10	20	30	40	50	60	70	80	90
SKC203	1.7	34	0.06	0.25	0.6	1.2	-	-	-	-	-
	2.2	40	0.04	0.19	0.4	0.75	0.95	1.2	-	-	-
	3.14	52	0.03	0.14	0.26	0.7	0.7	1.0	1.6	3.0	-
	4.0	64	0.035	0.13	0.25	0.4	0.5	0.9	1.5	3.4	-

## Dimensions – Basic Pump



[ Unit : mm[in] ]

## Build an Ordering No.



1. Basic pump	Description	Ordering No.
	Smart Keyboard pump, 3-stage, 2-vacuum cartridges, Vacuum filter	SKC203
2. Body type	Description	Ordering No.
	Single unit	S
	Manifold unit	M
3. Number of stack	Description	Ordering No.
	Single stack	1
	2 stacks	2
	4 stacks	4
	6 stacks	6
	8 stacks	8
4. Valves	Description	Ordering No.
	Air control valve : N.C.(Normal Closed) / Vacuum release valve : N.C.(Normal Closed)	A
5. Vacuum switch	Description	Ordering No.
	Digital switch, No analog supply, M8-4pins, NPN	C
	Digital switch, No analog supply, M8-4pins, PNP	PC
	Digital switch, Analog supply, Grommet, NPN	GA
	Digital switch, Analog supply, Grommet, PNP	PGA
6. Non-return valve	Description	Ordering No.
	No non-return valve	Blank
	Non-return valve	N
7. Sealing material	Description	Ordering No.
	NBR	Blank
	VITON	V
	EPDM	E